



CRMR60-D4

Commercial Series Undercounter Refrigerator with Drawers

CRMR60-D4
4/15/15
Item # 13353



Hoshizaki America, Inc. reserves the right to change specifications without notice.



- Stainless steel exterior front, sides and top
- Anodized aluminum interior sides and back with stainless steel interior floor
- Stainless steel exterior drawer with stainless steel interior
- Cabinet and drawers are insulated with 2" of CFC free, foamed in place polyurethane
- Front breathing air flow design
- Drawer slides are constructed of 16 gauge stainless steel with acetal rollers
- Drawer frames are formed of 14 gauge stainless steel and securely fastened in the cabinet
- Drawers will accommodate (1) 12" x 20" x 6" deep pan (pans by others)
- Extruded aluminum flush mount drawer handle
- Magnetic drawer gasket is easily removable for cleaning
- Enamel coated evaporator coil
- Standard with 4" stem casters (two with brakes)
- Three years parts and labor warranty
- Five year compressor warranty
- 8 ft. cord and plug

Item #

Project:

Qty:

*AutoCad available on KCL

CRMR60-D4 Dimensions W x D x H

2 Sections - 60" x 30" x 33.63"*

*with 4" casters

Electrical/Refrigeration

Voltage 115/60/1

HACR Breaker

2 Section - 15.0

Electrical Connection (NEMA)

2 Section - 5-15P

Voltage Range 104-126

Ambient Temp. Range 45° to 100°F

Temperature Range 32° to 52°F

*Refrigerant R-134a

Warranty

Valid in United States, Canada, Puerto Rico, and U.S. Territories. Contact factory for warranty in other countries.

- Three Year - Parts & Labor on entire machine.
- Five Year - Parts on: Compressor.

Options

- 2.25" Casters - to meet ADA
- 6" Casters
- Flat lift off cover
- Stainless steel back
- Drawer divider bars
- Rail adapter bars

Dimensions / Capacity

Model #	Two Section CRMR60-D4
Nominal Storage Capacity (CF)	17.55 ft ³
Interior Storage Capacity (CF) (AHAM)	16.6 ft ³
Overall Width x Depth	60" x 30"
Height (including 4" casters)	33.63"
Drawer Opening Width x Height	25.5" x 22.9"
Depth with Drawer Fully Open (Including 1" Bumper)	50.25"
Crated Shipping Weight	308 lbs
Crated Height x Width x Depth	36.75" x 62" x 34"

Electrical / Refrigeration Data

Model #	Two Section CRMR60-D4
Amperage	4.2
Energy Consumption (kwh/day) NSF	3.3
Heat Rejection (BTU/Hr.) @NSF	473.5
Approx. Nominal Compres. BTU/HR (HP)	1386 (1/5HP)



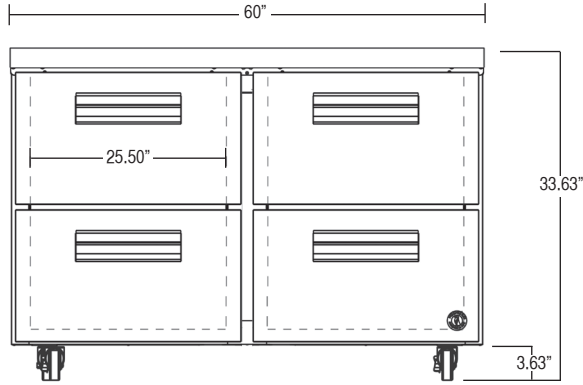
© HOSHIZAKI AMERICA, INC.

618 Hwy, 74 S., Peachtree City, GA 30269
TEL 800-438-6087
FAX 800-345-1325
www.hoshizaki.com

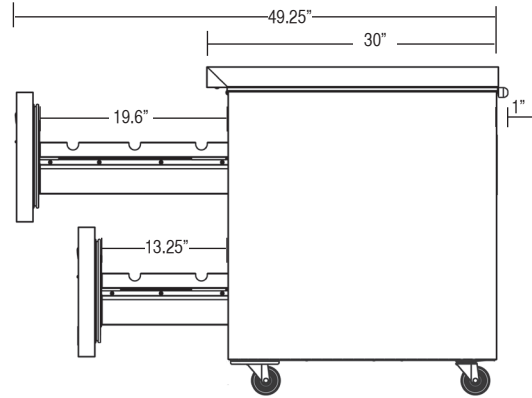


CRMR60-D4

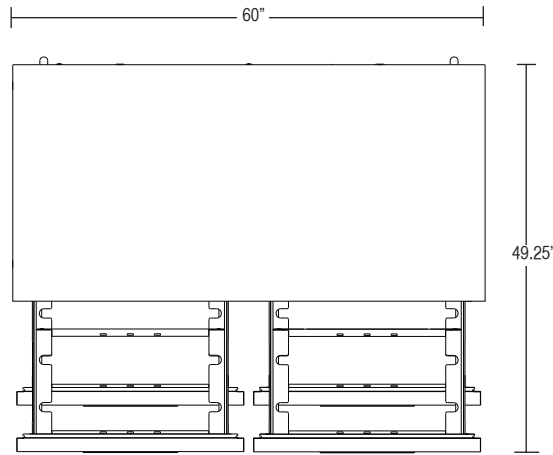
Commercial Series Undercounter Refrigerator with Drawers



**CRMR60-D4
FRONT**



**CRMR60-D4
SIDE VIEW**



**CRMR60-D4
PLAN VIEW**

Cabinet Construction

The exterior cabinet top, front, and sides, are constructed of high quality stainless steel. The exterior back and bottom are constructed of coated steel. The cabinet interior back and sides are anodized aluminum with an ABS ceiling and stainless steel floor. Cabinet walls and drawers are insulated with 2" of environmentally friendly, CFC free, foamed in place polyurethane. 4" polyolefin, stem casters (two with brakes) are standard.

Drawer Construction

Drawers fronts are constructed of high grade stainless steel with stainless steel interior and are insulated with R-134a CFC free foamed in place polyurethane. Each drawer accommodates (1) full size pan (pans by others). Drawer frames are formed of 14 gauge stainless steel and securely fastened in the cabinet. The drawer slides are 16 gauge stainless steel with acetal rollers with stainless steel ball bearings to prevent metal to metal contact. The drawer slides have a dynamic load capacity of 175 lbs. and have been life tested (fully-loaded) three hundred thousand openings and closings without showing significant wear. The flush mount handles are constructed of extruded aluminum. Snap-in magnetic drawer gaskets are durable and easily removed for cleaning.

Refrigeration System

The high efficiency refrigeration system is self-contained with an enamel coated evaporator for extended life. Condensate removal is accomplished with an energy efficient non-electric evaporation system. A capillary tube controls the flow of environmentally friendly R-134a refrigerant through the evaporator. Refrigeration system utilizes a heater defrost to eliminate any ice on the evaporator coil. 115 volt units are equipped with an eight foot cord and plug (20.0 amps or less).