



# STAINLESS STEEL ECONOMY OPEN BASE WORK TABLES NSF

### FEATURES:

**TELAG** Top is furnished with 1 5/8" sanitary rolled rim on front and rear & square ends.

**TFLAG** Top is furnished with 1 5/8" sanitary rolled rim on front and square ends, and 1 1/2" backsplash on rear.

**TKLAG** Top is furnished with 1 5/8" sanitary rolled rim on front and square ends, and 5" backsplash at rear.

Two hat-channels stud welded under tabletop to reinforce and maintain a level work surface.

### CONSTRUCTION:

All TIG welded. Exposed weld areas polished to match adjacent surface.

Top is sound deadened.

Roll formed embossed galvanized hat channels are secured to top by means of structural adhesive and weld studs.

Gussets welded to support hat channels

### MATERIAL:

**TOP:** 16 gauge stainless steel type "430" series.

**LEGS:** 1 5/8" diameter tubular galvanized steel. Galvanized steel gussets. 1" adjustable plastic bullet feet.

Item #: \_\_\_\_\_ Qty #: \_\_\_\_\_  
 Model #: \_\_\_\_\_  
 Project #: \_\_\_\_\_



Plastic Bullet Feet  
Standard On TELAG,  
TFLAG & TKLAG Series

TELAG-X Series  
Flat Top



TFLAG-X Series  
1 1/2" Backsplash



TKLAG-X Series  
5" Backsplash

	Model #	WT.	Cu. Ft.	Model #	WT.	Cu. Ft.	Model #	WT.	Cu. Ft.	
										FLAT TOP
<b>24" WIDE</b>	24"	TEL-242-X	40 lbs.	4	TFL-242-X	40 lbs.	4	TKL-242-X	47 lbs.	7
	30"	TEL-240-X	50 lbs.	4	TFL-240-X	50 lbs.	4	TKL-240-X	58 lbs.	7
	36"	TEL-243-X	55 lbs.	4	TFL-243-X	55 lbs.	4	TKL-243-X	63 lbs.	7
	48"	TEL-244-X	62 lbs.	6	TFL-244-X	62 lbs.	6	TKL-244-X	69 lbs.	9
	60"	TEL-245-X	71 lbs.	7	TFL-245-X	71 lbs.	7	TKL-245-X	81 lbs.	11
	72"	TEL-246-X	84 lbs.	8	TFL-246-X	84 lbs.	8	TKL-246-X	92 lbs.	13
	84"	TEL-247-X	94 lbs.	10	TFL-247-X	94 lbs.	10	TKL-247-X	104 lbs.	15
	96"	TEL-248-X*	111 lbs.	11	TFL-248-X*	111 lbs.	11	TKL-248-X*	123 lbs.	17
<b>30" WIDE</b>	24"	TEL-302-X	44 lbs.	5	TFL-302-X	44 lbs.	5	TKL-302-X	50 lbs.	8
	30"	TEL-300-X	56 lbs.	5	TFL-300-X	56 lbs.	5	TKL-300-X	61 lbs.	8
	36"	TEL-303-X	62 lbs.	5	TFL-303-X	62 lbs.	5	TKL-303-X	65 lbs.	8
	48"	TEL-304-X	67 lbs.	7	TFL-304-X	67 lbs.	7	TKL-304-X	75 lbs.	11
	60"	TEL-305-X	80 lbs.	8	TFL-305-X	80 lbs.	8	TKL-305-X	88 lbs.	13
	72"	TEL-306-X	91 lbs.	10	TFL-306-X	91 lbs.	10	TKL-306-X	100 lbs.	16
	84"	TEL-307-X	103 lbs.	12	TFL-307-X	103 lbs.	12	TKL-307-X	112 lbs.	18
	96"	TEL-308-X*	121 lbs.	13	TFL-308-X*	121 lbs.	13	TKL-308-X*	133 lbs.	20
<b>36" WIDE</b>	36"	TEL-363-X	57 lbs.	6	TFL-363-X	57 lbs.	6	NOT AVAILABLE		
	48"	TEL-364-X	70 lbs.	8	TFL-364-X	70 lbs.	8			
	60"	TEL-365-X	83 lbs.	10	TFL-365-X	83 lbs.	10			
	72"	TEL-366-X	95 lbs.	12	TFL-366-X	95 lbs.	12			
	96"	TEL-368-X*	128 lbs.	15	TFL-368-X*	128 lbs.	15			



\*All 8 ft. Tables Provided With 6 Legs



**Customer Service Available To Assist You 1-800-645-3166 8:30 am - 8:00 pm E.S.T.**

For Orders & Customer Service:

Email: customer@advancetabco.com or Fax: 631-242-6900

For Smart Fabrication™ Quotes:

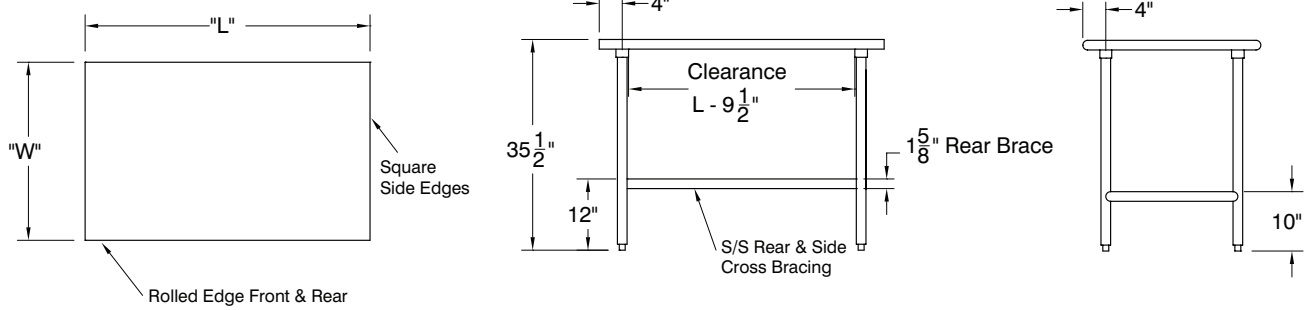
Email: smartfab@advancetabco.com or Fax: 631-586-2933

# DETAILS and SPECIFICATIONS

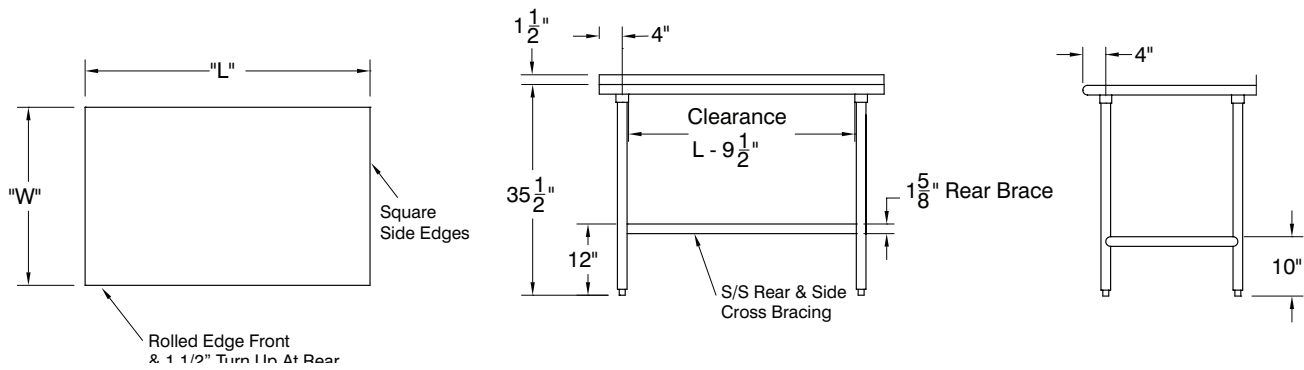
TOL ± .500"

ALL DIMENSIONS ARE TYPICAL

## TELAG SERIES - Flat Top



## TFLAG SERIES - 1 1/2" Backsplash



## TKLAG SERIES - 5" Backsplash

