



Your Solutions Partner

# Specifications

F.O.B Sedalia, Missouri 65301



### OPTIONS:

- Condensate Evaporator
- 220V - 50Hz compressor
- Remote installation of compressor
- False Bottom
- Stainless steel louvered grille
- Designer Foodshields
- Stainless steel adapter panels
- Adapter bars

### AGENCY LISTING:



**DUKE MANUFACTURING CO.**  
**2305 N. Broadway**  
**St. Louis, MO 63102**

**800.735.3853 Toll Free**  
**314.231.5074 Fax**  
**www.dukemfg.com**

SS-DM-00110-ADI-07

### Approval Stamp(s):

### PRODUCT INFORMATION:

PROJECT: \_\_\_\_\_

ITEM: \_\_\_\_\_

QUANTITY: \_\_\_\_\_

MODEL:

### Drop-Ins - Cold Pan Mechanically Cooled - 10" Deep Liner Meets NSF Standard 7

- ADI-1MD-N7** (1) 6" Deep 12" x 20" pan
- ADI-2MD-N7** (2) 6" Deep 12" x 20" pan
- ADI-3MD-N7** (3) 6" Deep 12" x 20" pan
- ADI-4MD-N7** (4) 6" Deep 12" x 20" pan
- ADI-5MD-N7** (5) 6" Deep 12" x 20" pan
- ADI-6MD-N7** (6) 6" Deep 12" x 20" pan

### TOP RIM:

- Heavy gauge, 300 Series stainless steel
- Overhang on front, back and ends w/locking tabs
- Vinyl foam gasket as sealant
- 300 Series stainless steel cold pan liner
- Product recessed 3" below top
- Insulated all four sides and bottom
- 1" cast brass drain and plug
- Adapter bars furnished for full size pans
- Removable stainless brackets 3" below top

### REFRIGERATION:

- Copper coils attached to all sides of liner - R134A refrigerant
- Open angle-iron suspended compressor compartment
- Remote mounted on/off switch with stainless steel face plate
- 120V condensing unit
- 6' cord and plug - NEMA 5-15
- Five year warranty on compressor motor

### EXTERIOR HOUSING

- Heavy gauge paint grip steel

### SHORT FORM SPECIFICATIONS:

**Duke Drop-Ins - Cold Pan - Mechanically Cooled - 10" Deep - Meets NSF Standard 7.** Top flange of heavy gauge 300 series s/s with overhang on 4 sides, refrigerated cold pan, s/s top and interior liner, heavy gauge paint grip steel exterior housing, with drain, remote mounted on/off switch, 10" deep liner, cord and plug, adapter bars for full size pans furnished. Note: Do not fully enclose compressor area. Two unrestricted openings of no less than 200 sq. inches required in cabinet for proper cooling, NSF-7

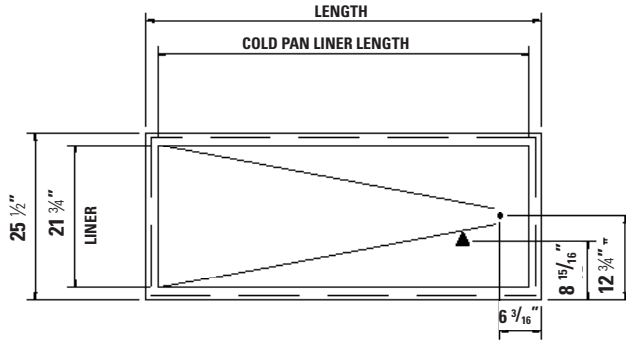
DROP-IN - COLD PAN - MECHANICALLY COOLED-10" DEEP - N7

Catalog No. ADI-MECH10N7

A.I.A. File No. 35-C-13

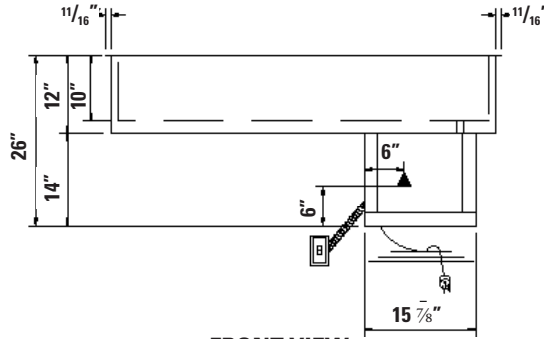
REV A

# Duke®



ADI-4MD N7 UNIT SHOWN

**TOP VIEW**

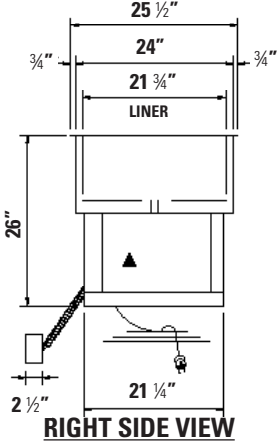


**FRONT VIEW**

**DROP - INS**  
**Cold Pans - Mechanically Cooled - 10" Deep**  
**Meets NSF Standard 7**

- ADI-1MD-N7** (1) 6" deep 12" x 20" pan
- ADI-2MD-N7** (2) 6" Deep 12" x 20" pan
- ADI-3MD-N7** (3) 6" Deep 12" x 20" pan
- ADI-4MD-N7** (4) 6" Deep 12" x 20" pan
- ADI-5MD-N7** (5) 6" Deep 12" x 20" pan
- ADI-6MD-N7** (6) 6" Deep 12" x 20" pan

LEGEND	
▲	ELECTRICAL CONNECTION
●	DRAIN LOCATION



**RIGHT SIDE VIEW**

DIMENSIONS - Liners are 21-3/4" (55.3 cm) W; cutouts 24-3/4" (62.3cm) W

FREIGHT CLASS: 100

Model	Length		Width		Height		Cube ft crated	Adapter Bars	Weight		Cold Pan - L		Cutout - L	
	in.	cm	in	cm	in	cm			lbs	kg	in.	cm	in.	cm
ADI-1MD-N7	18 7/8	45.7	25 1/2	64.8	26	61.0	14.0	0	150	68.2	14 1/2	36.8	17 1/2	44.5
ADI-2MD-N7	32 7/8	81.3	25 1/2	64.8	26	61.0	11.9	1	160	72.7	28 1/2	72.4	31 1/2	80.0
ADI-3MD-N7	46 7/8	116.8	25 1/2	64.8	26	61.0	16.8	2	230	104.6	42 1/2	108.0	45 1/2	115.6
ADI-4MD-N7	60 7/8	152.4	25 1/2	64.8	26	61.0	21.7	3	280	127.3	56 1/2	143.5	59 1/2	151.1
ADI-5MD-N7	74 7/8	188.0	25 1/2	64.8	26	61.0	26.6	4	340	154.6	70 1/2	179.1	73 1/2	186.7
ADI-6MD-N7	88 7/8	223.5	25 1/2	64.8	26	61.0	31.5	5	380	172.7	84 1/2	214.6	87 1/2	222.3

REMOTE CONTROL CUTOUT IS 4-1/8" H X 2-3/16" W

**ELECTRICAL SPECIFICATIONS:**

Model	120 Volt	
	Amps	HP
ADI-1MD-N7	4.2	1/5
ADI-2MD-N7	4.2	1/5
ADI-3MD-N7	4.2	1/4
ADI-4MD-N7	5.2	1/4
ADI-5MD-N7	6.0	1/3
ADI-6MD-N7	6.0	1/3



**DUKE MANUFACTURING CO.**  
 2305 N. Broadway  
 St. Louis, MO 63102  
 800.735.3853 Toll Free  
 800.231.1130 In Missouri  
 314.231.5074 Fax  
 www.dukemfg.com

Specification subject to change